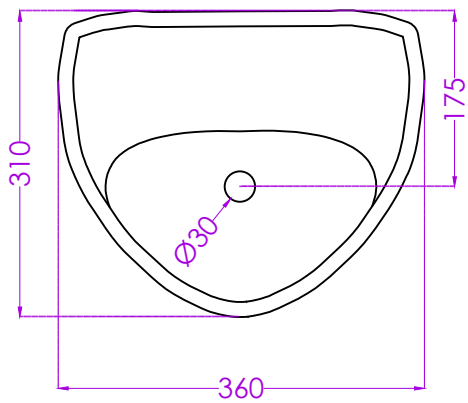


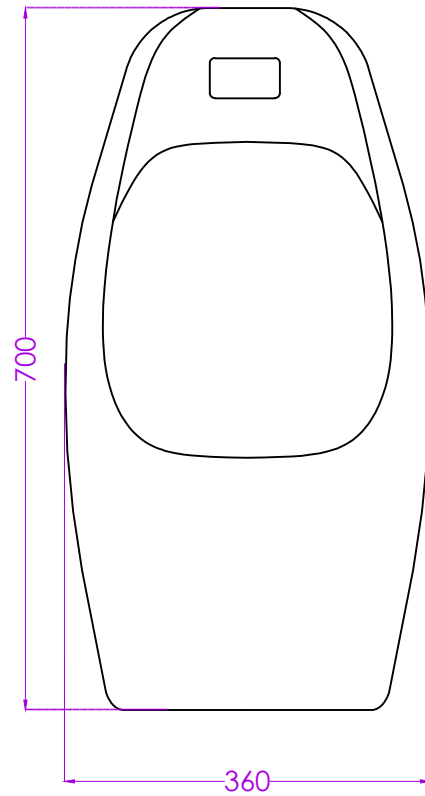
TWINE NXT P0020PW0703

URINAL WITH SENSOR

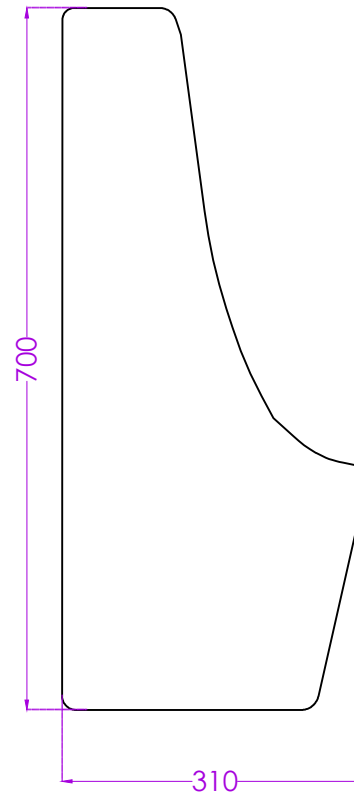
JOHNSON



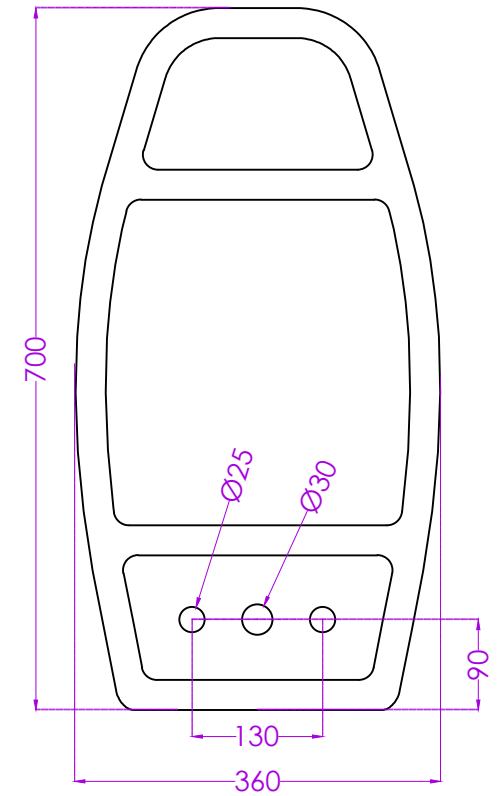
PLAN



FRONT



SIDE



BACK